

## Countertop Food Warmers

ITEM : 48548 48172 48173  
 MODEL : FW-CN-0002-V FW-CN-0004-V FW-CN-0004-H

48548



**Omcan countertop food warmers are perfect for serving a range of hot dishes.**

Delight your guests with warm, flavorful dishes using the Omcan series countertop food warmer. Available in multiple configurations, it ensures your food stays hot and ready to serve. Experience the convenience of effortlessly maintaining the perfect serving temperature every time.

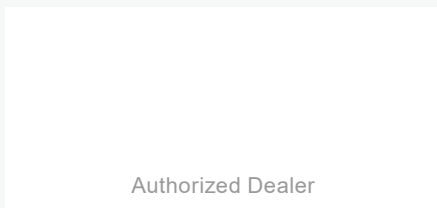
48172



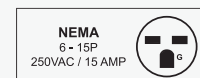
**FEATURES:**

- ✓ Easy to clean and maintain
- ✓ Can be adapted to hold one full-size or two half-size pans one each channel
- ✓ Adjustable thermostat on each channel ranging from 30 - 100°C (86 - 212°F)
- ✓ Using heating film for uniform and fast result
- ✓ Exterior body is constructed of high quality stainless steel for lasting beauty and durability

48173



Authorized Dealer



## TECHNICAL SPECIFICATION

Features	21" Width, Vertical 2 Channels	21" Width, Vertical 4 Channels	37" Width, Horizontal 4 Channels
Item	48548	48172	48173
Model	FW-CN-0002-V	FW-CN-0004-V	FW-CN-0004-H
Number of Pans	4	8	
Electrical	220V / 60Hz / 1Ph		
Power	1700W	3400W	
Amps	11.3A	15A	
Temperature Range	30 - 100°C (86 - 212°F)		
Net Dimensions	21" x 25" x 18" (533.4 x 635 x 457.2 mm)	20.5" x 24.7" x 27" (521 x 627 x 687.5 mm)	36.8" x 24.7" x 16.1" (936 x 627 x 410 mm)
Net Weight	93 lbs. (42.2 kg)	173 lbs. (78.5 kg)	182 lbs. (82.5 kg)
Gross Dimensions	24" x 28" x 24" (609.6 x 711.2 x 609.6 mm)	24" x 28" x 29" (607 x 713 x 727 mm)	41" x 28" x 18" (1022 x 713 x 449 mm)
Gross Weight	130 lbs. (59 kg)	198 lbs. (90 kg)	220 lbs. (100 kg)

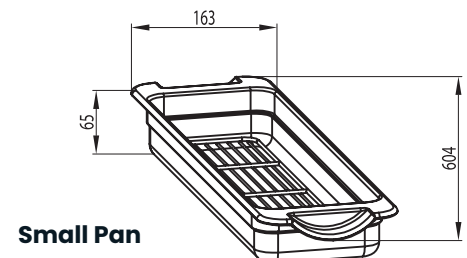
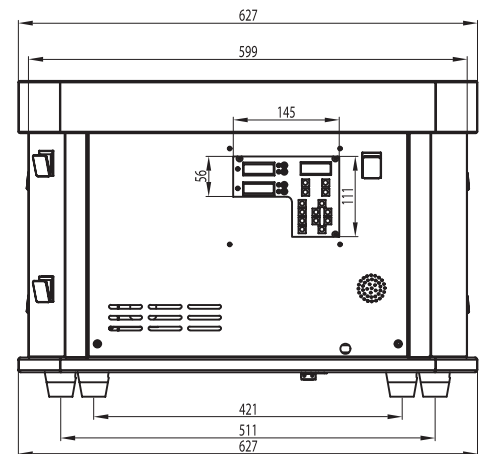
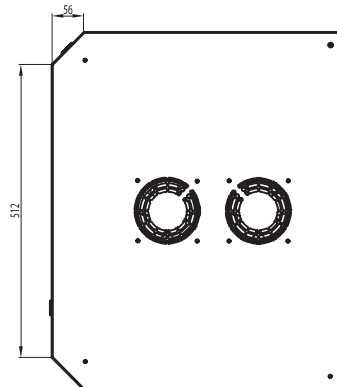
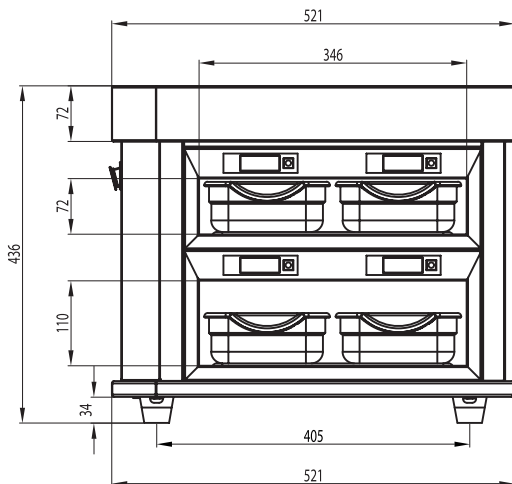
## TECHNICAL DRAWING

**48548**

**Side**

**Front**

**Top**

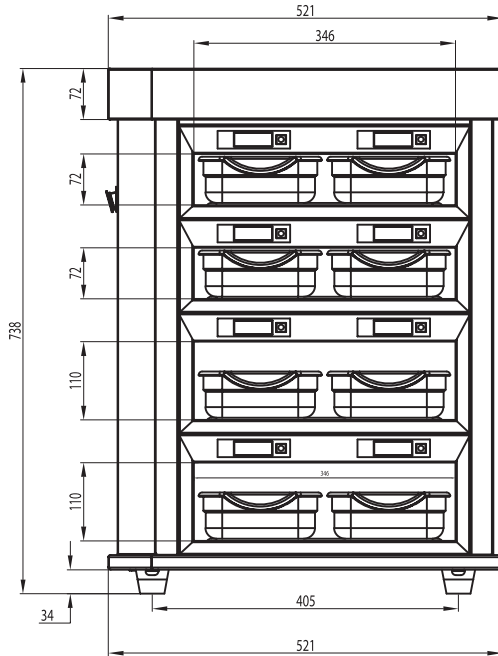


**Small Pan**

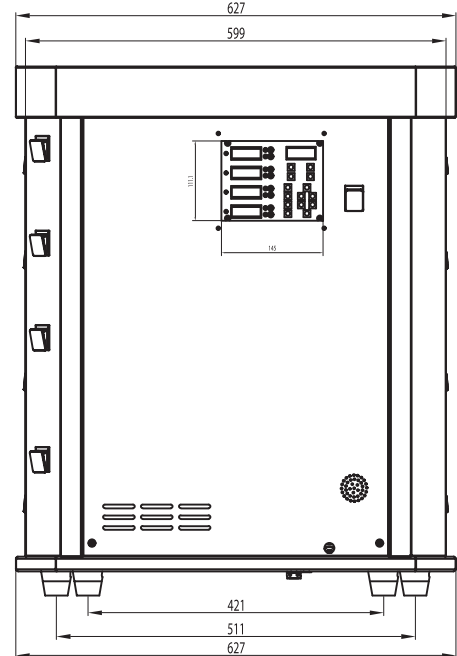
## TECHNICAL DRAWING

48172

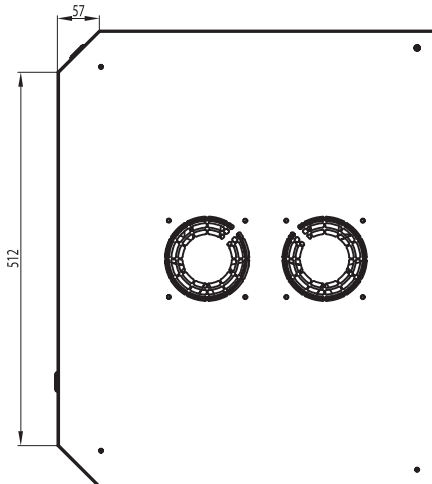
Front



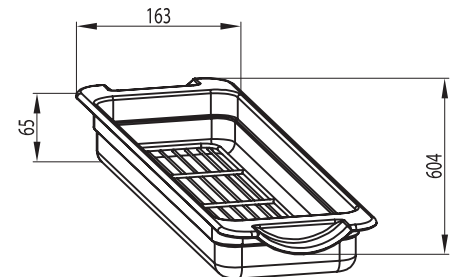
Side



Top



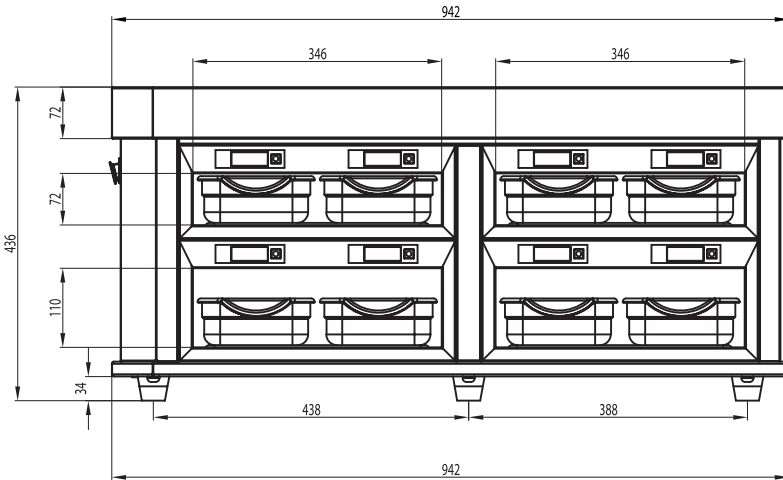
Small Pan



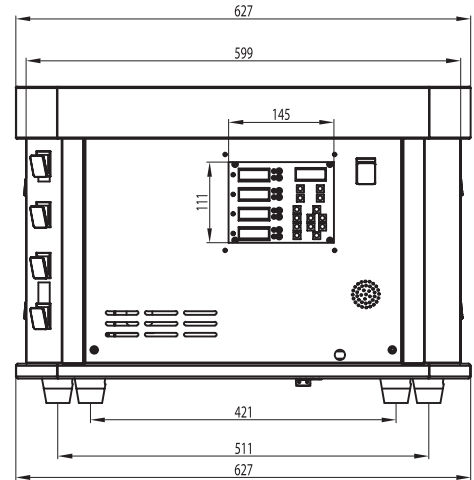
## TECHNICAL DRAWING

48173

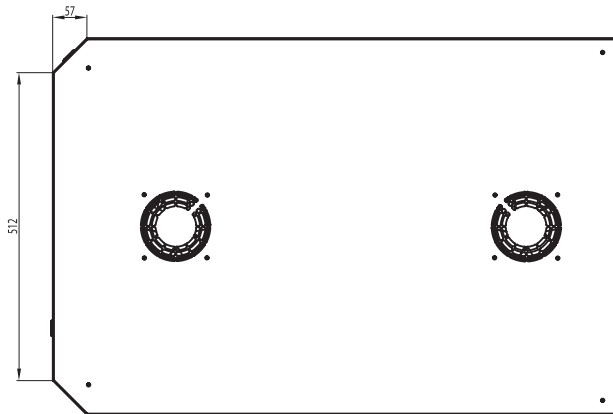
Front



Side



Top



Small Pan

